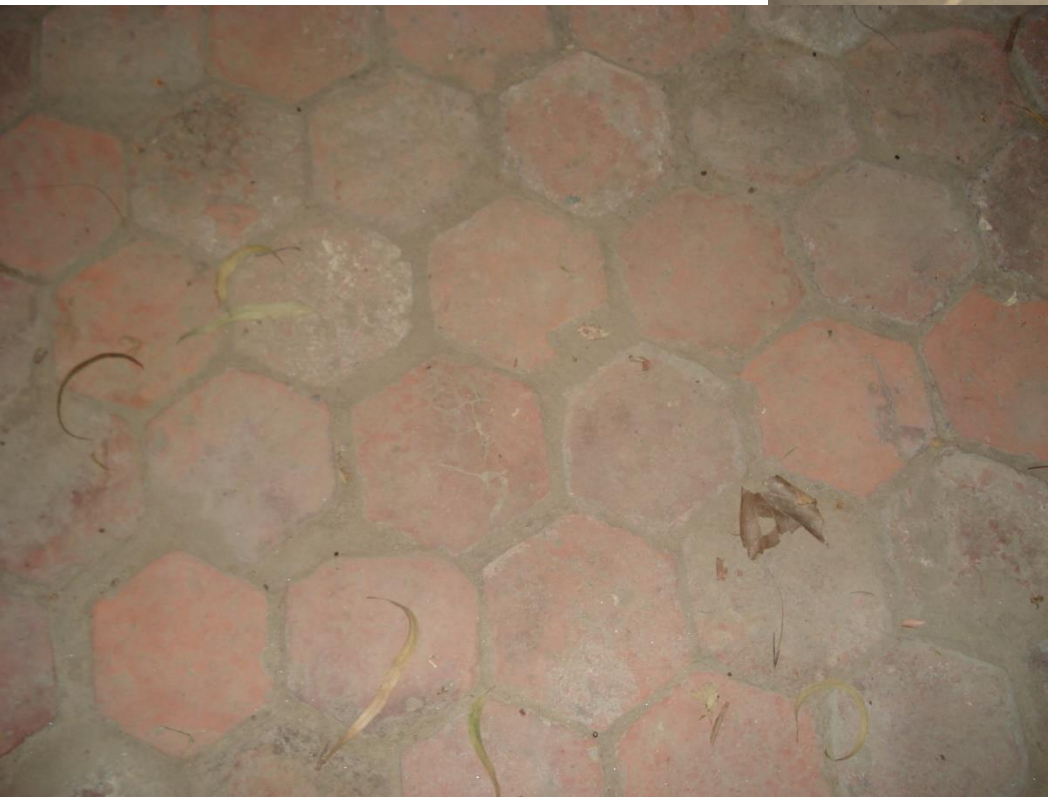


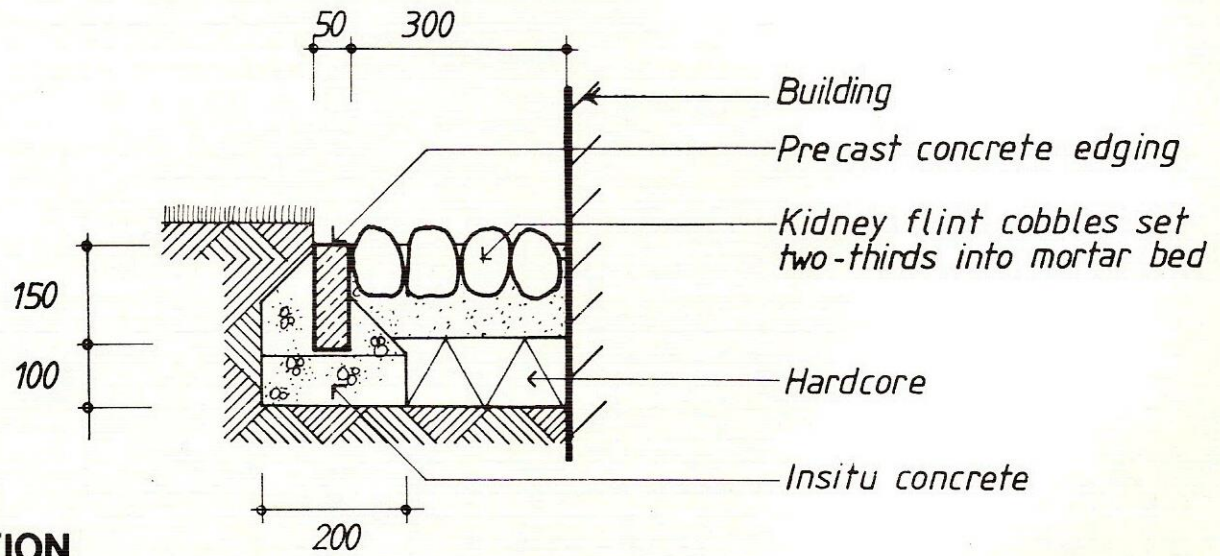
Subject: Site Planning and Landscape Design

Topic: Paving details

Presented by: Hiba Gul

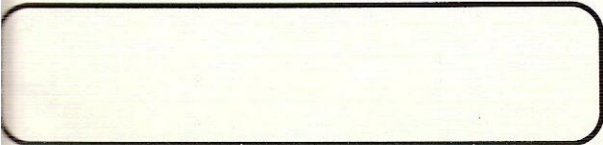
CONCRETE PAVING



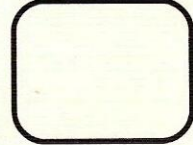


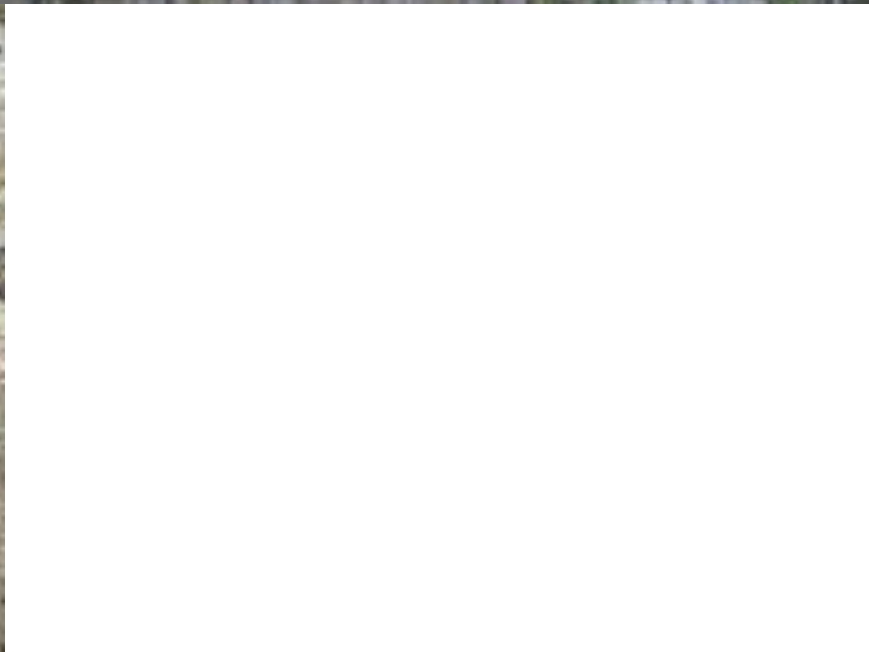
SECTION

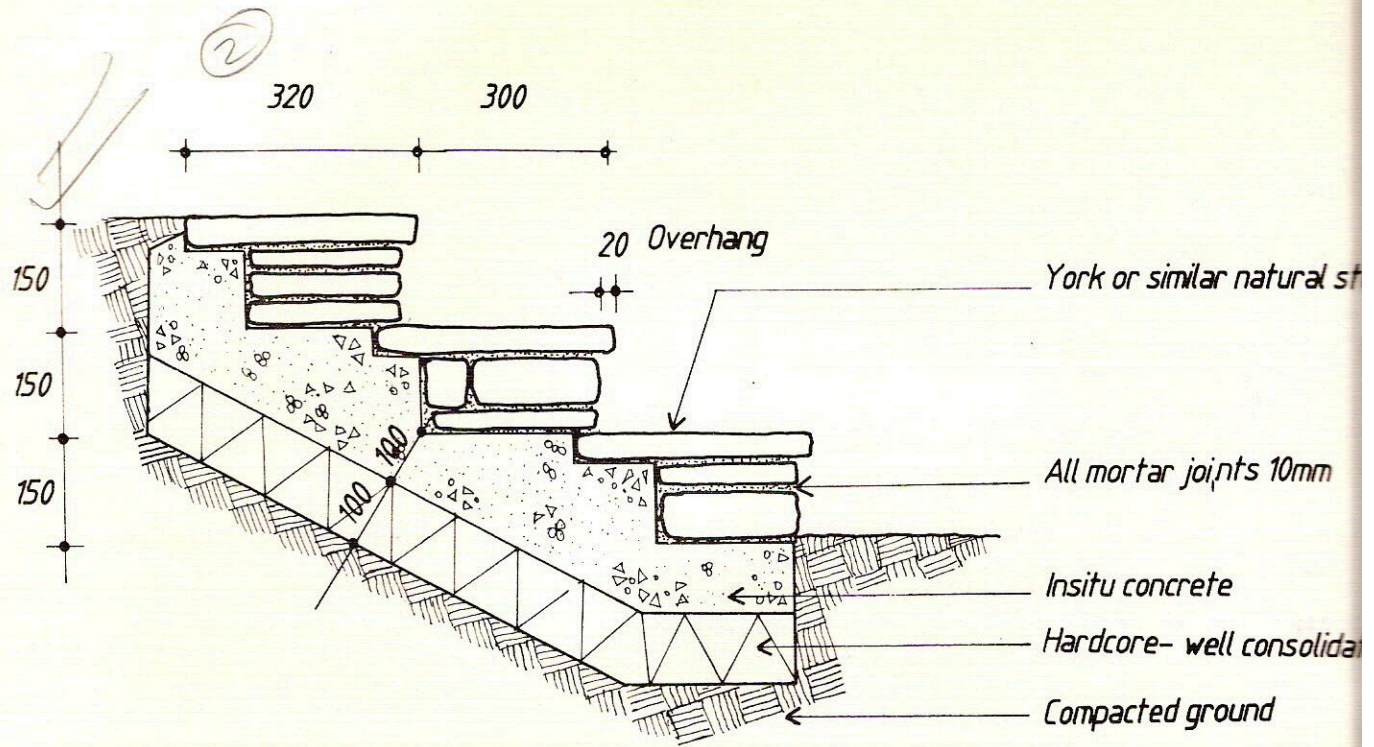
Scale 1:10



MARGIN
concrete/cobbles







puicw

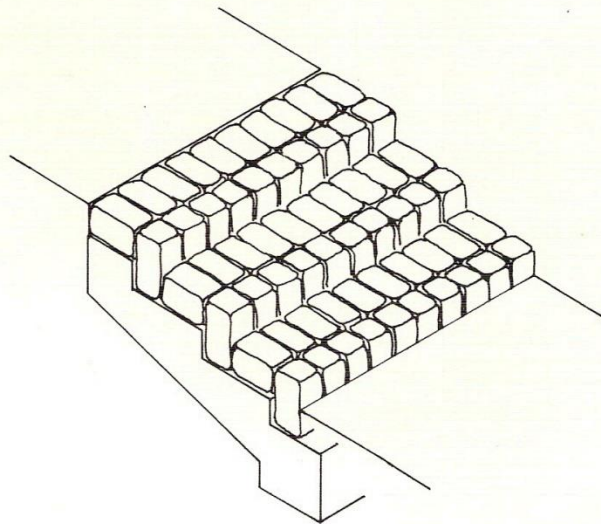
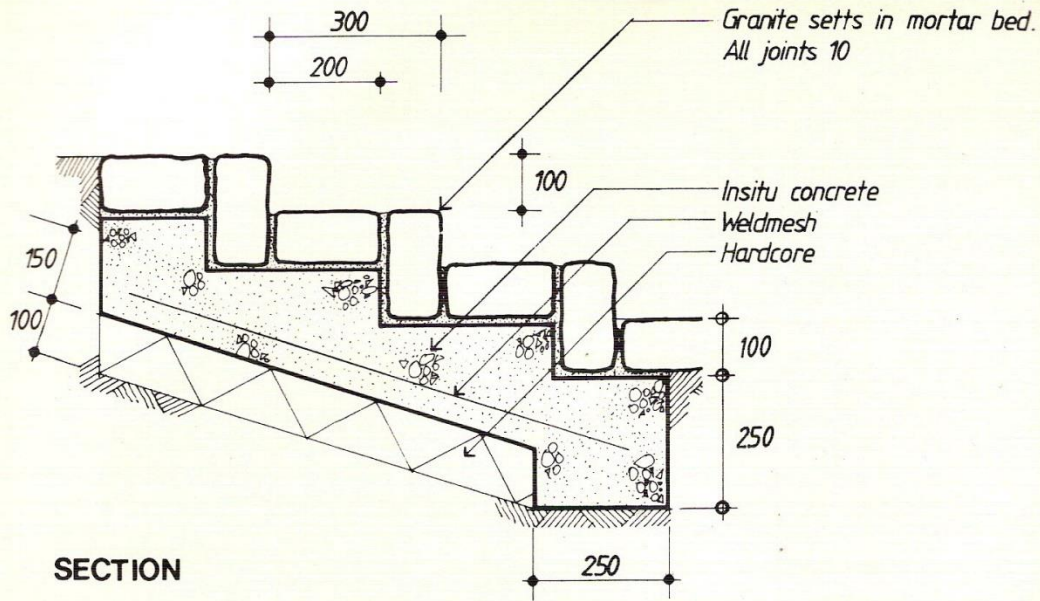
SECTION

Scale 1:11

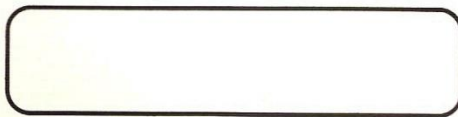


STEPS
natural york stone





Scale 1:10

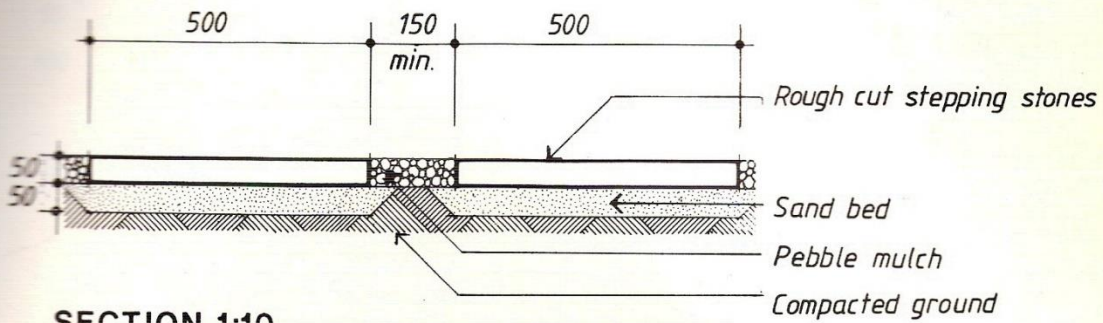


STEPS
granite sett

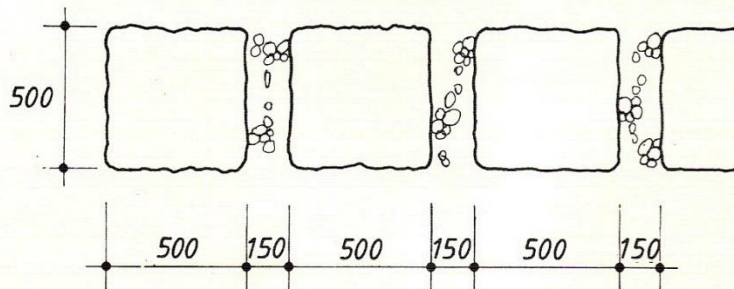


BRICK PAVING

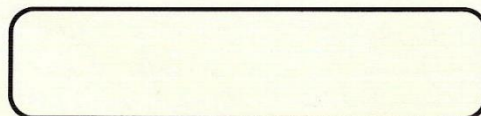




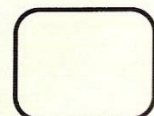
SECTION 1:10



PLAN 1:20



PEDESTRIAN PAVING
stepping stones





dholpur sand stone

m.s flat

niche

25 th. glass

wooden planks

black flamed granite
neoprene track coat
bituminous setting bed
asphalt conc. porous surface

compacted aggregate if required
rigid insulation
water proof membrane
light wt. conc. fill sloped to drain
structutral slab

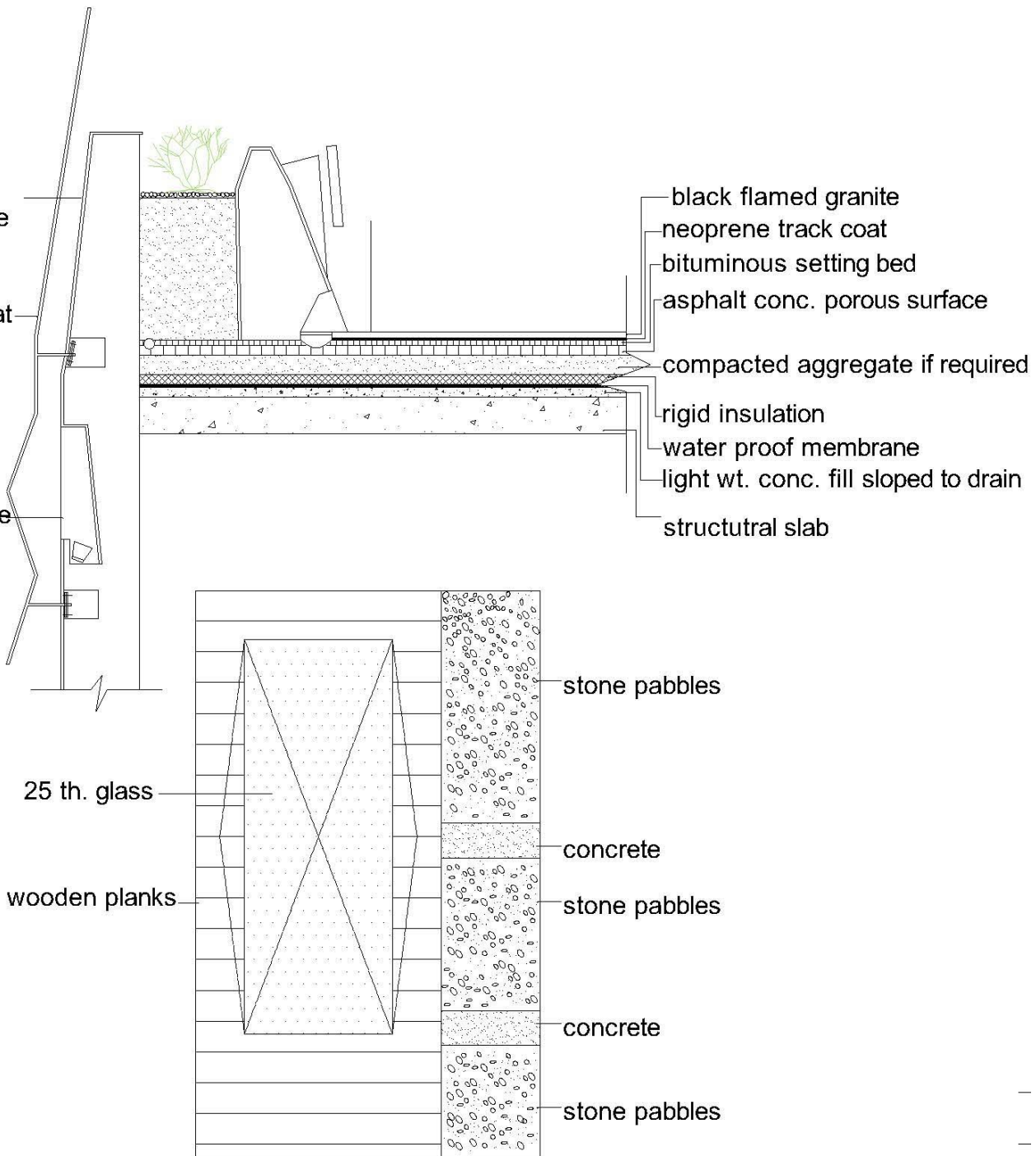
stone pabbles

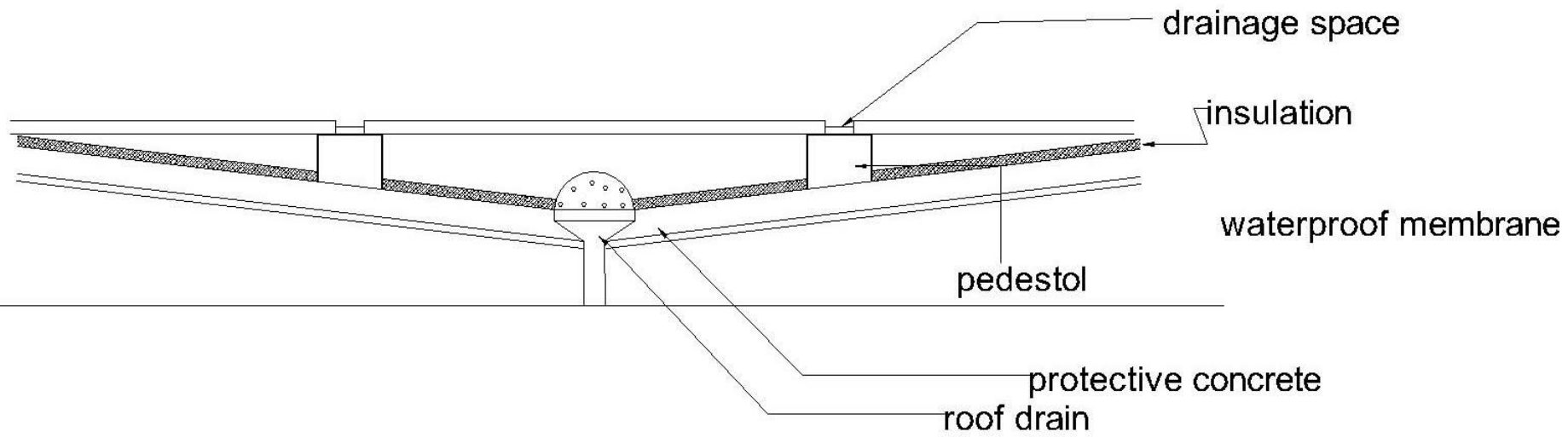
concrete

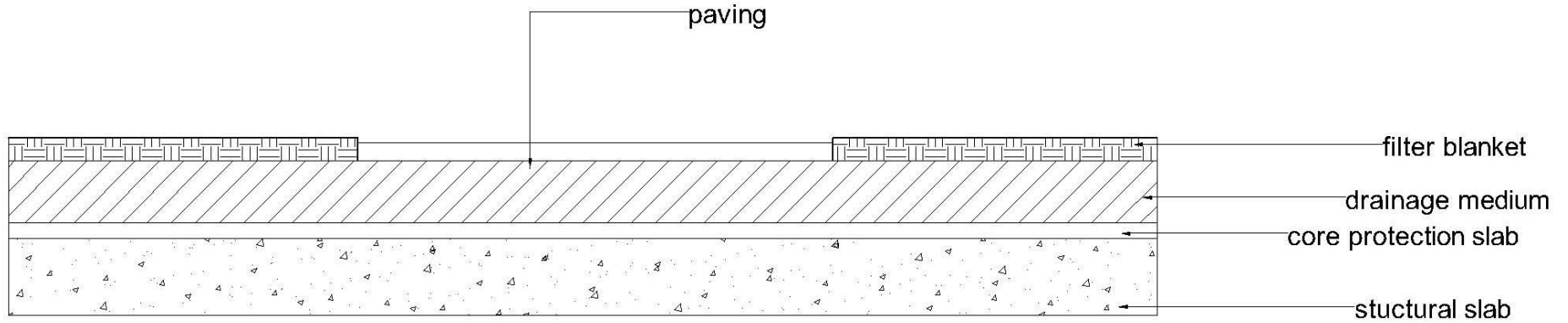
stone pabbles

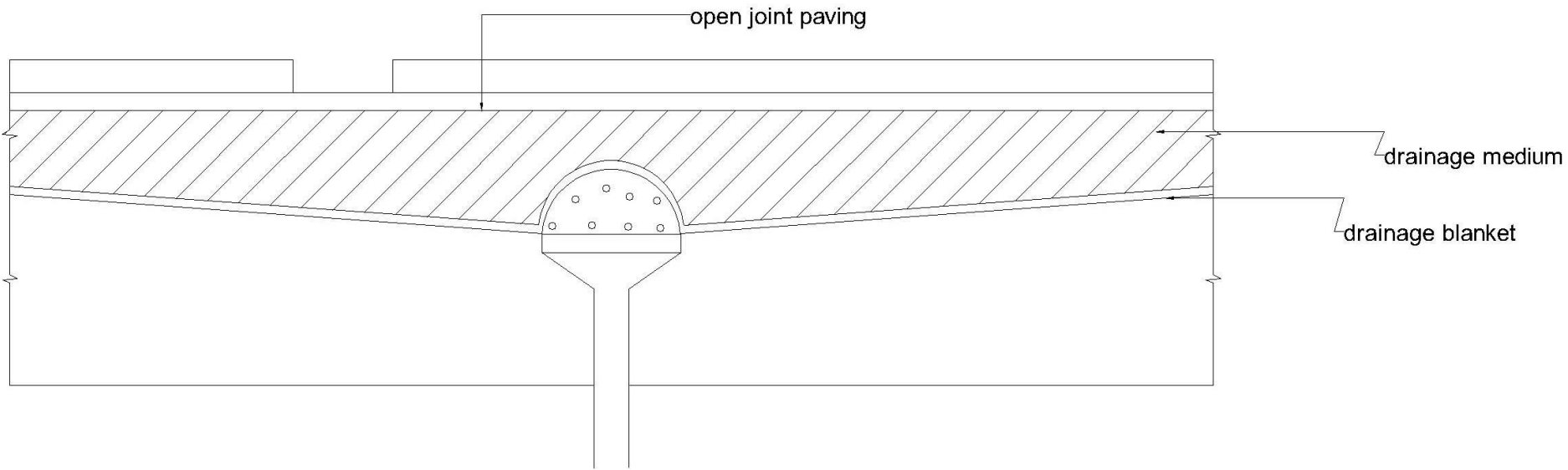
concrete

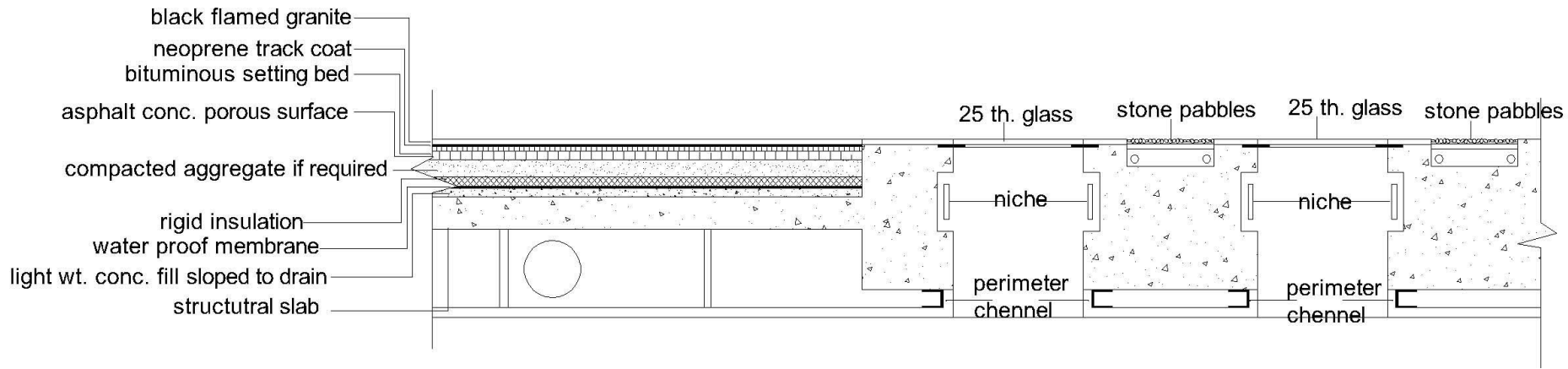
stone pabbles











STONE PAVING





STONE PAVING

PERMEABLE PAVING